

PLEASE KEEP ME WITH YOUR PROOF OF PURCHASE FOR FUTURE REFERENCE



ASSEMBLY INSTRUCTIONS

Eden Rectangular Left Hand + Right Hand Sofa & 2 x Stools







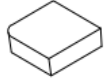





64006082/64006092

ATTENTION:

1. Please read these instructions carefully before assembly
2. Aluminium is soft metal and over tightening may strip thread or break the part
3. **DO NOT** use power tools
4. Please allow 30 minutes for assembly.
5. Although assembly only requires 1 person it is advised that a second person be present to help turn the table over and into position when fully assembled

LEFT HAND CORNER ASSEMBLY STEPS:

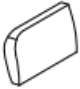

1. Turn the sofa seating panel (A) upside down on a soft clean surface
2. **LOOSELY** attach Legs(B) to the Sofa(A) with bolts(K) and big flat washers(M) using Allen key(N)
3. **LOOSELY** attach middle leg(C) to the Sofa(A) with bolts(L) and big flat washers(M) using Allen key(N)
4. Tighten all bolts using Allen key (N) one by one being careful not to over tighten any as this will cause the thread to become damaged
5. Turn Sofa over and place in desired position.
6. Place all cushions (D, E, F, G, H, I and J) on the sofa seat

Component's					Fixings				
Parts List	Parts Picture	Description	Q'ty	Part no	Parts list	Parts Picture	Description	Q'ty	Part no.
A		Sofa seating panel	1	64006082A1 64006092A1	H		Back cushion	1	6400608 2H1 6400609 2H1
B		Legs	4	64006082B1 64006092B1	I		Back cushion	1	6400608 2I1 6400609 2I1
C		Middle Leg	1	64006082C1 64006092C1	J		Side cushion	1	6400608 2J1 6400609 2J1
D		Seat cushion	1	64006082D1 64006092D1	K		M6*25 bolts	12	1231162
E		Seat cushion	1	64006082E1 64006092E1	L		M6*20 bolts	2	1231162
F		Seat cushion	1	64006082F1 64006092F1	M		Big Flat washers	14	1061162

For replacement or lost spare parts please go to <http://faq.hartmanuk.co.uk/spares/>

Should you have any queries about your furniture your first point of contact should be the retailer from whom you purchased your product

PLEASE KEEP ME WITH YOUR PROOF OF PURCHASE FOR FUTURE REFERENCE

G		Back cushion	1	64006082G1 64006092G1	N		Allen Key	1	2002191
---	---	--------------	---	--------------------------	---	--	-----------	---	---------

For more information regarding maintenance of your furniture please visit <http://www.hartmanuk.com>

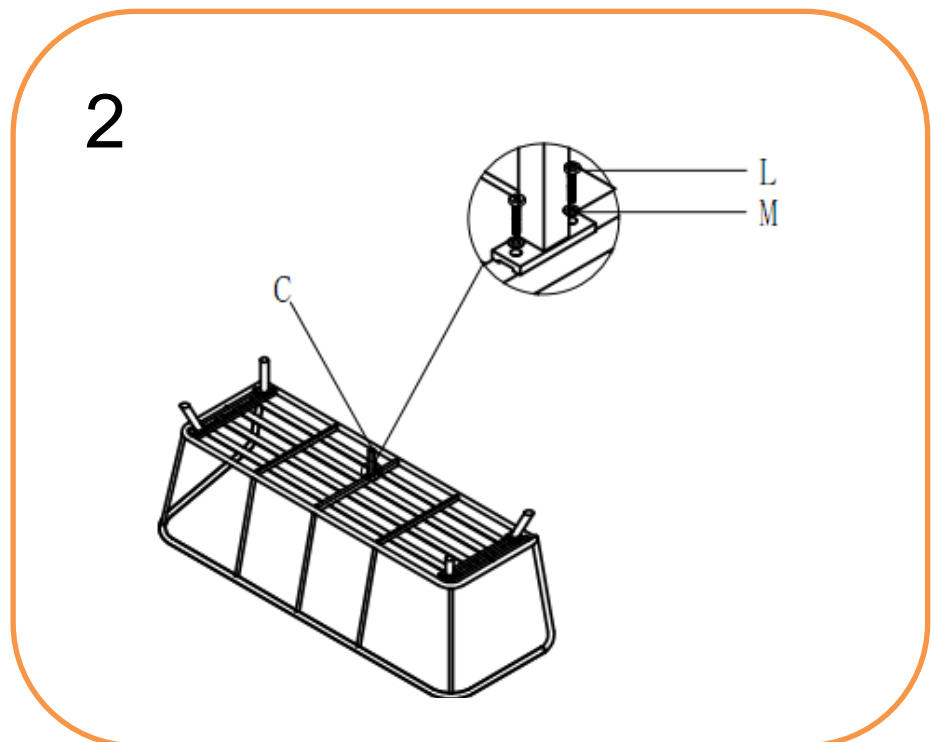
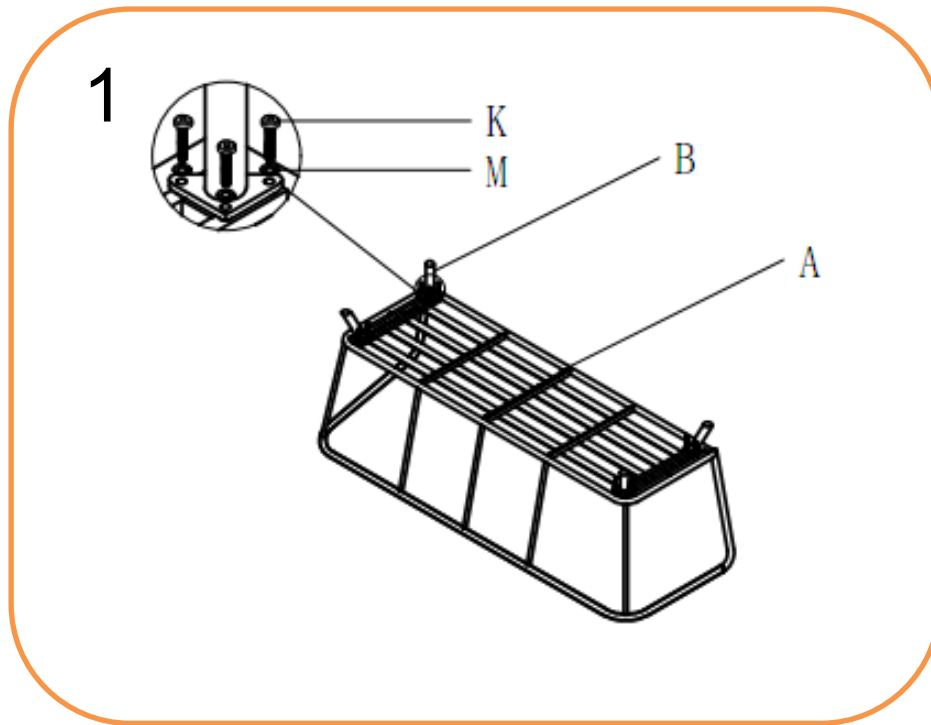
For replacement or lost spare parts please go to <http://faq.hartmanuk.co.uk/spares/>

Should you have any queries about your furniture your first point of contact should be the retailer from whom you purchased your product

PLEASE KEEP ME WITH YOUR PROOF OF PURCHASE FOR FUTURE REFERENCE

ASSEMBLY INSTRUCTIONS

Eden Rectangular Left Hand + Right Hand Sofa & 2 x Stools (A1)

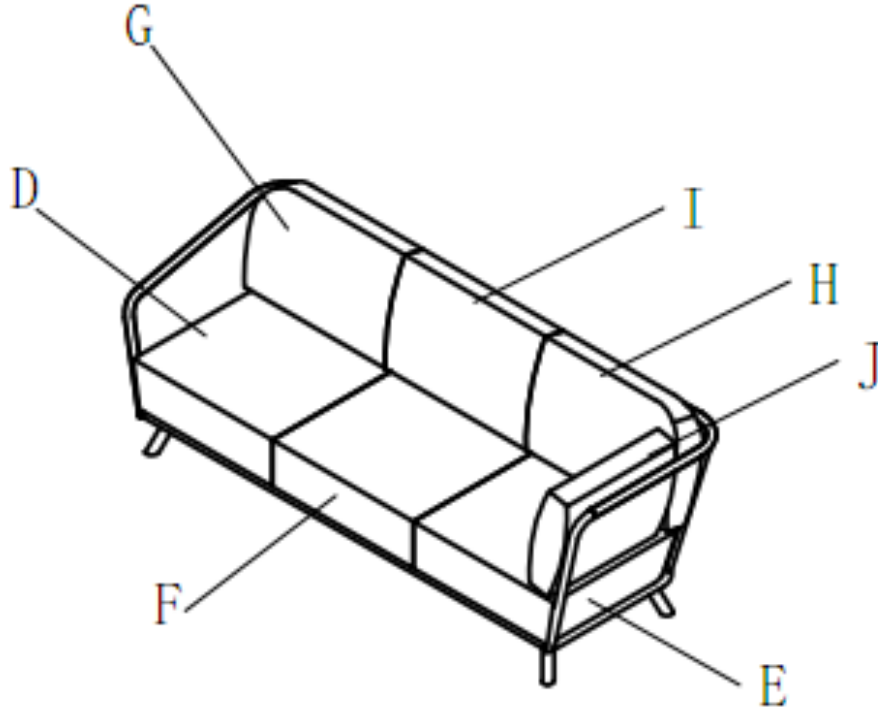


For replacement or lost spare parts please go to <http://faq.hartmanuk.co.uk/spares/>
Should you have any queries about your furniture your first point of contact should be the retailer from whom you purchased your product

PLEASE KEEP ME WITH YOUR PROOF OF PURCHASE FOR FUTURE REFERENCE



3



For replacement or lost spare parts please go to <http://faq.hartmanuk.co.uk/spares/>
Should you have any queries about your furniture your first point of contact should be the retailer from whom you purchased your product

PLEASE KEEP ME WITH YOUR PROOF OF PURCHASE FOR FUTURE REFERENCE

ASSEMBLY INSTRUCTIONS

Eden Rectangular Left Hand + Right Hand Sofa & 2 x Stools











ATTENTION:

1. Please read these instructions carefully before assembly
2. Aluminium is soft metal and over tightening may strip thread or break the part
3. **DO NOT** use power tools
4. Please allow 30 minutes for assembly.
5. Although assembly only requires 1 person it is advised that a second person be present to help turn the table over and into position when fully assembled

RIGHT HAND CORNER ASSEMBLY STEPS:

1. Turn the sofa seating panel (A) upside down on a soft clean surface
2. **LOOSELY** attach Legs(B) to the Sofa(A) with bolts(H) and big flat washers(J) using Allen key(K)
3. **LOOSELY** attach Middle leg(C) to the Sofa(A) with bolts(I) and big flat washers(J) using Allen key(K)
4. Tighten all bolts using Allen key (K) one by one being careful not to over tighten any as this will cause the thread to become damaged
5. Turn Sofa over and place in desired position.
6. Place all cushions (D, E, F and G) on the sofa seat


For more information regarding maintenance of your furniture please visit <http://www.hartmanuk.com>

Component's				Fixings					
Parts List	Parts Picture	Description	Q'ty	Part no	Parts list	Parts Picture	Description	Q'ty	Part no.
A		Sofa seating panel	1	64006082A2 64006092A2	H		M6*25 bolts	12	1231162
B		Legs	4	64006082B2 64006092B2	I		M6*20 bolts	2	1231162
C		Middle leg	1	64006082C2 64006092C2	J		Big Flat washers	14	1061162
D		Seat cushion	2	64006082D2 64006092D2	K		Allen Key	1	2002191
E		Seat cushion	1	64006082E2 64006092E2					
F		Back cushion	2	64006082F2 64006092F2					

For replacement or lost spare parts please go to <http://faq.hartmanuk.co.uk/spares/>

Should you have any queries about your furniture your first point of contact should be the retailer from whom you purchased your product

PLEASE KEEP ME WITH YOUR PROOF OF PURCHASE FOR FUTURE REFERENCE

G		Back cushion	1	64006082G2 64006092G2					
---	---	--------------	---	--------------------------	--	--	--	--	--

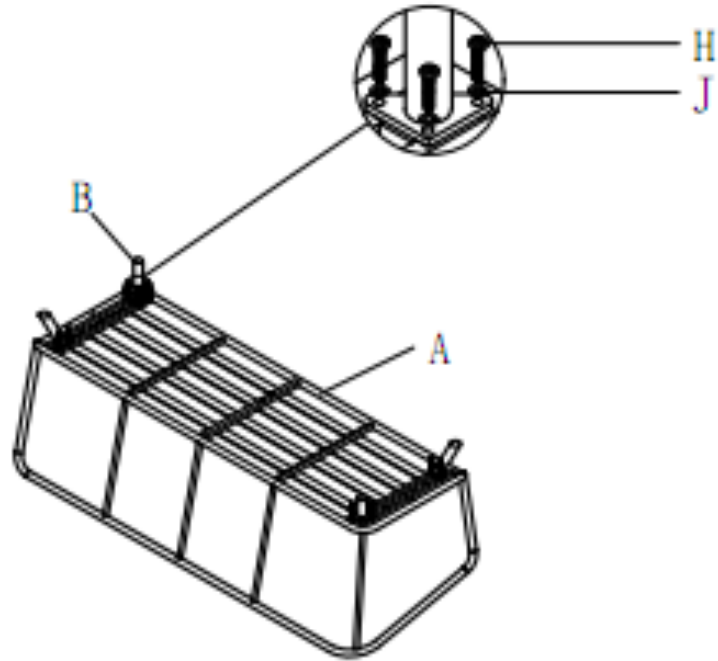
For replacement or lost spare parts please go to <http://faq.hartmanuk.co.uk/spares/>
Should you have any queries about your furniture your first point of contact should be the retailer from whom you purchased your product

PLEASE KEEP ME WITH YOUR PROOF OF PURCHASE FOR FUTURE REFERENCE

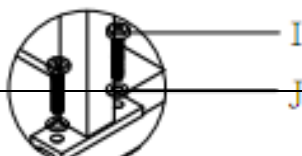
ASSEMBLY INSTRUCTIONS

Eden Rectangular Left Hand + Right Hand Sofa & 2 x Stools(A2)

1



For replacement of
Should you have a
you purchased yo

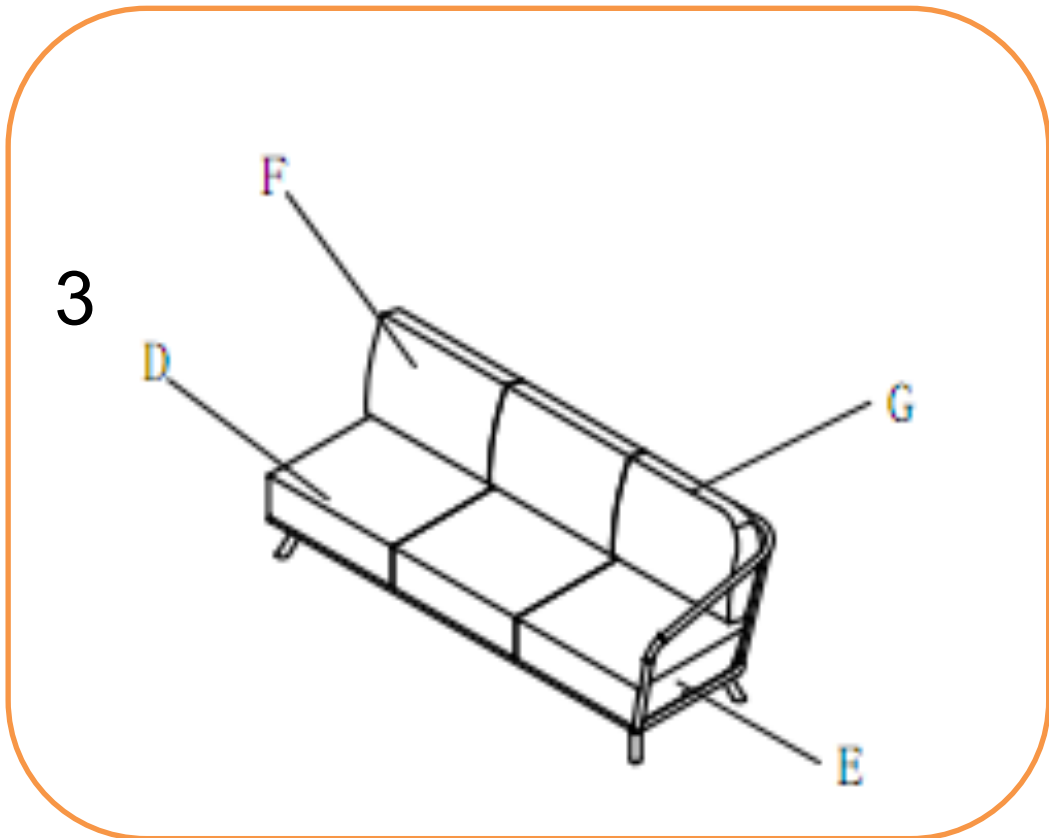


er from whom

PLEASE KEEP ME WITH YOUR PROOF OF PURCHASE FOR FUTURE REFERENCE



2



3

For replacement or lost spare parts please go to <http://faq.hartmanuk.co.uk/spares/>
Should you have any queries about your furniture your first point of contact should be the retailer from whom you purchased your product

PLEASE KEEP ME WITH YOUR PROOF OF PURCHASE FOR FUTURE REFERENCE
ASSEMBLY INSTRUCTIONS

Eden Rectangular Left Hand + Right Hand Sofa & 2 x Stools







ATTENTION:

1. Please read these instructions carefully before assembly
2. Aluminium is soft metal and over tightening may strip thread or break the part
3. **DO NOT** use power tools
4. Please allow 30 minutes for assembly.
5. Although assembly only requires 1 person it is advised that a second person be present to help turn the table over and into position when fully assembled

STOOL ASSEMBLY STEPS:

1. Turn the stool top frame(A) upside down on a soft clean surface
2. **LOOSELY** attach Legs(B) to the top(A) with bolts(D) and big flat washers(E) using Allen key(F)
3. Tighten all bolts using Allen key (F) one by one being careful not to over tighten any as this will cause the thread to become damaged
4. Turn stool over and place in desired position and put cushion(C) on it.

For more information regarding maintenance of your furniture please visit <http://www.hartmanuk.com>

Component's				Fixings					
Parts List	Parts Picture	Description	Q'ty	Part no	Parts list	Parts Picture	Description	Q'ty	Part no.
A		Stool top frame	1	64006082A2 64006092A2	D		M6*25 bolts	12	1231162
B		Leg	4	64006082B2 64006092B2	E		Big Flat washers	12	1061162
C		Cushion	1	64006082C2 64006092C2	F		Allen Key	1	2002191

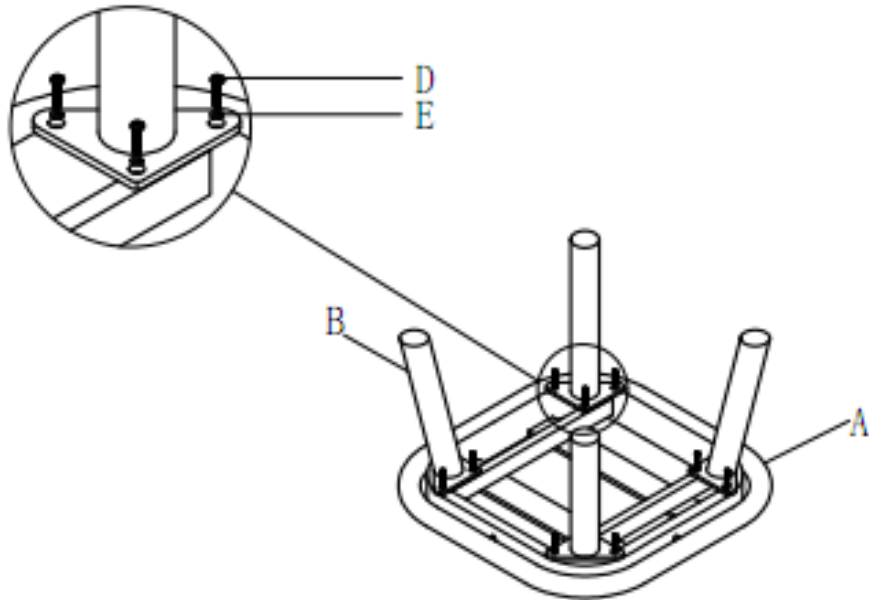
For replacement or lost spare parts please go to <http://faq.hartmanuk.co.uk/spares/>

Should you have any queries about your furniture your first point of contact should be the retailer from whom you purchased your product

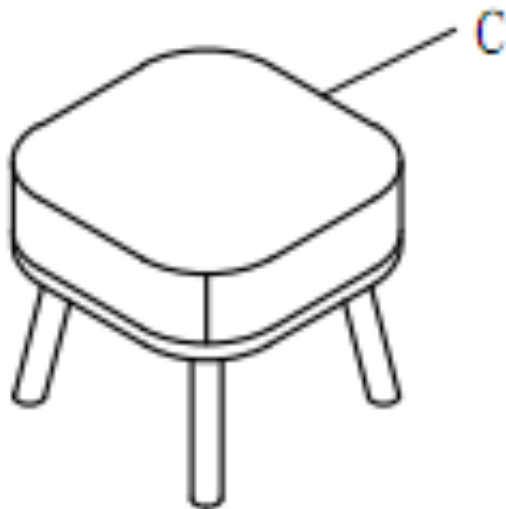
PLEASE KEEP ME WITH YOUR PROOF OF PURCHASE FOR FUTURE REFERENCE
ASSEMBLY INSTRUCTIONS

Eden Rectangular Left Hand + Right Hand Sofa & 2 x Stools (A2)

1



2



For replacement or lost spare parts please go to <http://faq.hartmanuk.co.uk/spares/>
Should you have any queries about your furniture your first point of contact should be the retailer from whom you purchased your product

PLEASE KEEP ME WITH YOUR PROOF OF PURCHASE FOR FUTURE REFERENCE

ATTENTION:




1. Please read these instructions carefully before assembly
2. Aluminium is soft metal and over tightening may strip thread or break the part
3. **DO NOT** use power tools
4. Please allow 30 minutes for assembly.
5. Although assembly only requires 1 person it is advised that a second person be present to help turn the table over and into position when fully assembled.

CORNER UNIT ASSEMBLY STEPS:

1. Position part (A) and part (B) ready for assembly
2. With 2 velcro straps (C) position over the section that adjoin parts (A1) and (B1).
3. Turn sofas over and place in desired position.

For more information regarding maintenance of your furniture please visit

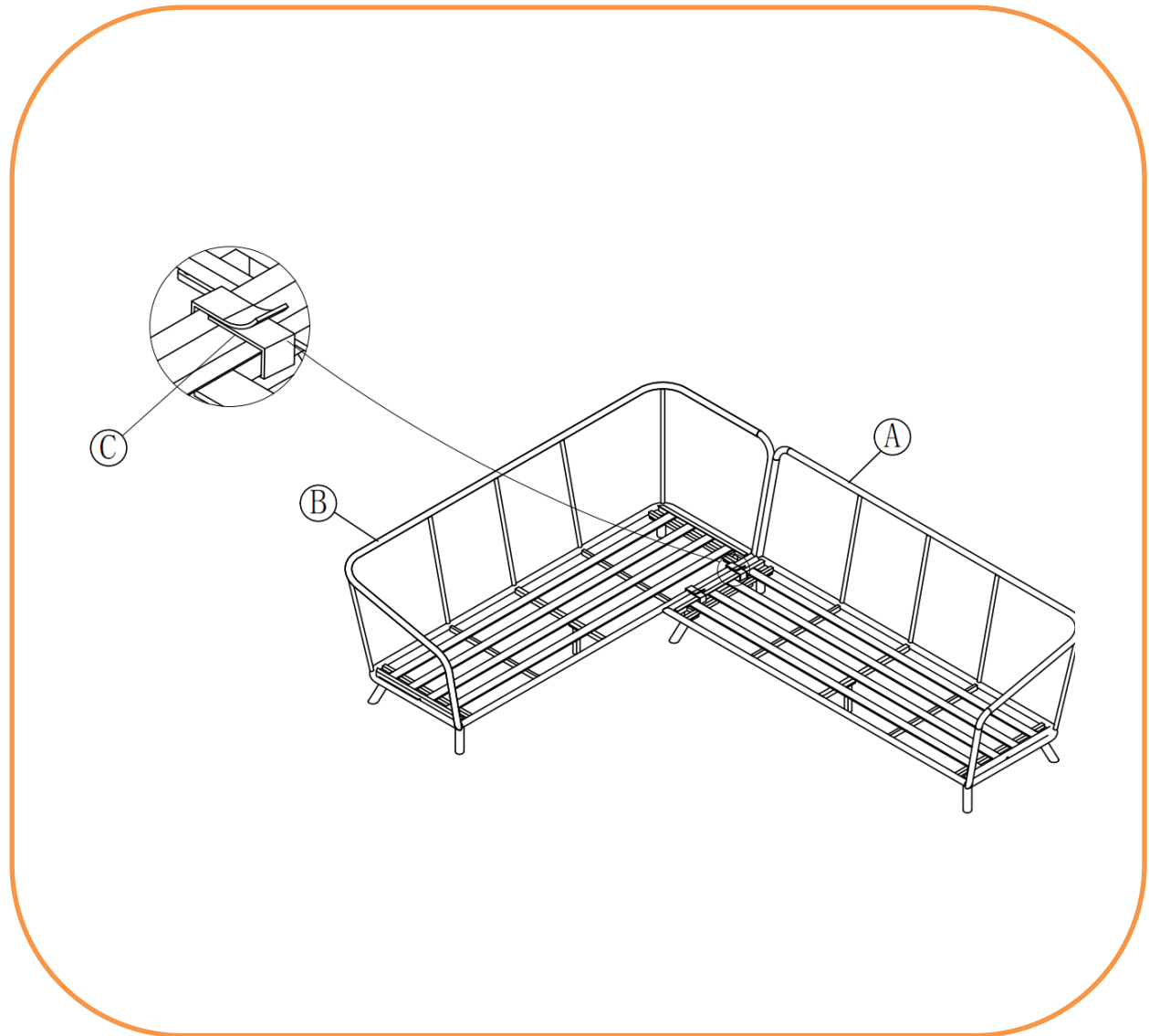
http://www.hartmanuk.co.uk/after_care_videos.html

Component's				Fixings					
Parts List	Parts Picture	Description	Q'ty	Part no	Parts list	Parts Picture	Description	Q'ty	Part no.
A		Sofa 1	1	64006082A1 64006092A1	C		Velcro strap	2	2200011
B		Sofa 2	1	64006082A2 64006092A2					

For replacement or lost spare parts please go to <http://faq.hartmanuk.co.uk/spares/>

Should you have any queries about your furniture your first point of contact should be the retailer from whom you purchased your product

PLEASE KEEP ME WITH YOUR PROOF OF PURCHASE FOR FUTURE REFERENCE



For replacement or lost spare parts please go to <http://faq.hartmanuk.co.uk/spares/>
Should you have any queries about your furniture your first point of contact should be the retailer from whom you purchased your product

PLEASE KEEP ME WITH YOUR PROOF OF PURCHASE FOR FUTURE REFERENCE



ASSEMBLY INSTRUCTIONS

Eden 180 x 100cm Rectangular Casual Table

64008082/64008092

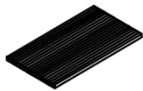

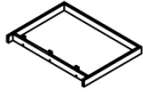



ATTENTION:

1. Please read these instructions carefully before assembly
2. Aluminium is soft metal and over tightening may strip thread or break the part
3. **DO NOT** use power tools
4. Please allow 30 minutes for assembly.
5. Although assembly only requires 1 person it is advised that a second person be present to help turn the table over and into position when fully assembled

TABLE ASSEMBLY STEPS:

1. Turn the table top (A) upside down on a soft clean surface
2. **LOOSELY** attach Legs(B) to the table top(A) with bolts(C&D) and big flat washers(E) using Allen key(F)
3. Tighten all bolts using Allen key (F) one by one being careful not to over tighten any as this will cause the thread to become damaged
4. Turn table over and place in desired position.

For more information regarding maintenance of your furniture please visit <http://www.hartmanuk.com>

Component's					Fixings				
Parts List	Parts Picture	Description	Q'ty	Part no	Parts list	Parts Picture	Description	Q'ty	Part no.
A		Table top	1	64008082A 64008092A	C		M6*30 bolts	6	1101162
B		Leg	2	64008082B 64008092B	D		M6*20 bolts	6	1091162
					E		Big Flat washers	12	1061162
					F		Allen Key	1	2002191

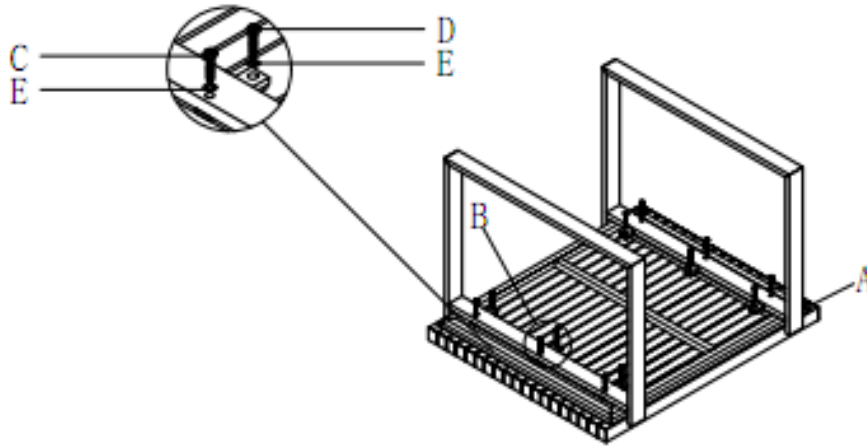
For replacement or lost spare parts please go to <http://faq.hartmanuk.co.uk/spares/>

Should you have any queries about your furniture your first point of contact should be the retailer from whom you purchased your product

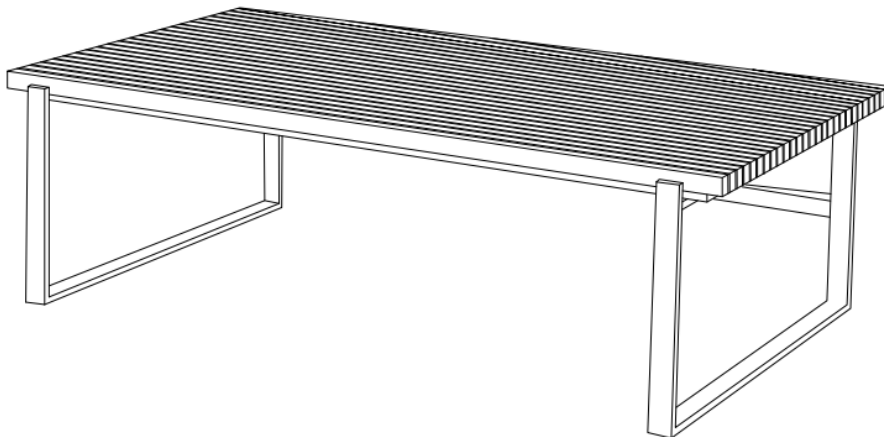
PLEASE KEEP ME WITH YOUR PROOF OF PURCHASE FOR FUTURE REFERENCE
ASSEMBLY INSTRUCTIONS

Eden 180 x 100cm Rectangular Casual Table

1



2



For replacement or lost spare parts please go to <http://faq.hartmanuk.co.uk/spares/>
Should you have any queries about your furniture your first point of contact should be the retailer from whom you purchased your product